

STB-10A automatic tea bag packing machine unit is a basic machine model for packing tea products into filter bags. The machine is composed of cup doser weighing filling system, filter paper tea bag forming sealing system, cotton thread feeding system, tag paper feeding sealing system, envelop bag forming sealing system, and finished products out-put conveyor system.

The machine unit could be adopted to pack herbal tea, granule tea, healthy tea, pharmacy tea, ground coffee, grind tea powder, and other small particle products.

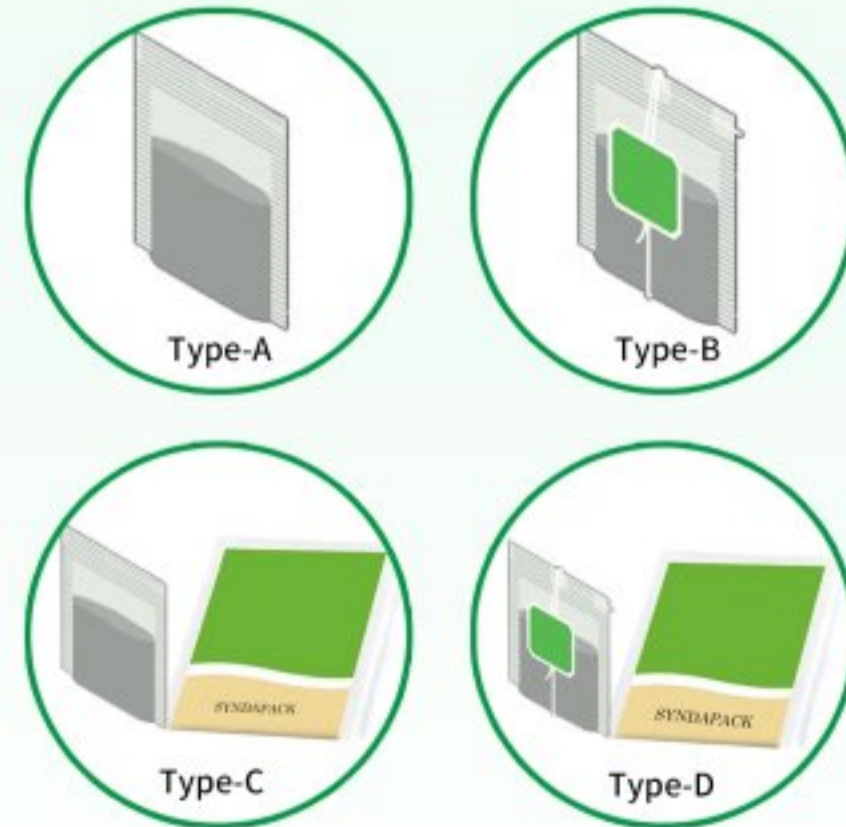


Key Advantages

- Low machine price
- Low spare parts costs
- PLC Control + HMI Operate
- Easy to maintain
- Compact size design
- Low maintenance costs
- Made in China typical design
- Easy to operate
- Multi-functional tea bag type

Applicable Tea Bag Style

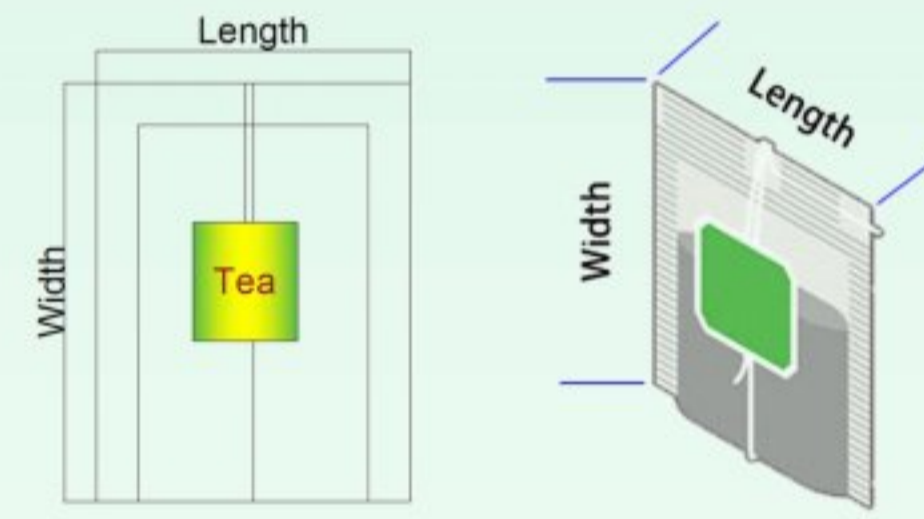
- Type-A: Naked Tea Bag
- Type-B: Tea Bag + Thread + Tag
- Type-C: Naked Tea Bag + Envelope Bag
- Type-D: Tea Bag + Thread + Tag + Envelope Bag



STB-10A machine model is the most applicable machine solution for start up or medium companies in tea market. The machine designed as a whole unit, and the user could choose which function they need by just adding the packaging materials to the fixed station. Multiple tea bag types ensure that the user could adjust the package type easily to meet their market needs well.

Standard Technical Parameters

Machine Model	STB-10A
Tea Bag Material	Filter Paper
Tea Bag Style	Rectangular Tea Bag
Filter Tea Bag Size Range	L 50 ~70mm W 40 ~ 80mm
Cotton Thread Length	155mm
Heat Seal Tag Size	L 20 ~24mm W 40 ~ 55mm
Packing Volume	1 ~ 5ml
Packing Speed	30 ~ 45 Bags / Minute
Envelope Bag Size	L 70 ~ 120mm W 60 ~ 90mm
Machine Size	L 1250mm x W 700mm x H 1800mm
Machine Weight	About 450kg
Power Supply	AC220V 1Phase 50~60Hz 3.7Kw
Envelope Bag Material	Laminated Film



Filter Tea Bag Coil Width (Proposal Tea Bag Size)

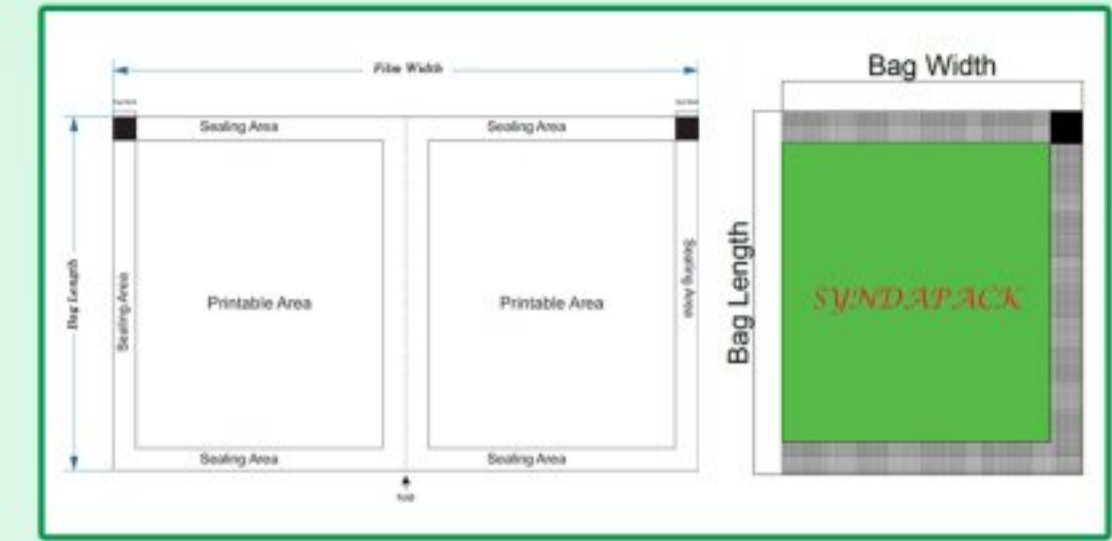
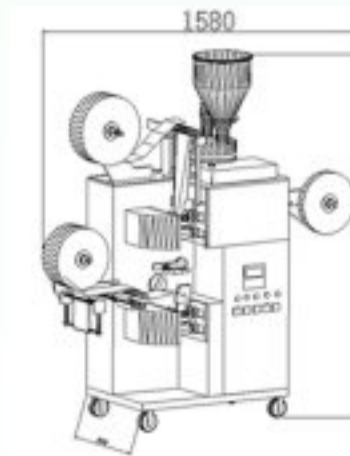
A	125mm	L 50mm W 58 - 60mm
B	145mm	L 60mm W 68 ~ 70mm
C	160mm	L 65mm W 73 - 75mm



Paper Tag Size Specification (Proposal)

A	L 20mm	W 40mm	Folded Size: 20 x 20mm
B	L 22.5mm	W 45mm	Folded Size: 22.5 x 22.5mm
C	L 24mm	W 48mm	Folded Size: 24 x 24mm

Syndapack provide customized material testing service for start-up companies who do not have clear idea about the tea bag size. You could deliver the packing tea material to our factory and we shall use the machine to run with your products and then propose the best tea bag size for your products.



Envelope Outer Bag Coil Width (Proposal Outer Bag Size)

A	Film Width: 150mm	Outer Bag Size: 75 x 90mm
B	Film Width: 160mm	Outer Bag Size: 80 x 95mm
C	Film Width: 180mm	Outer Bag Size: 90 x 100mm

Packaging Material

